

# SPIDER-MAN™

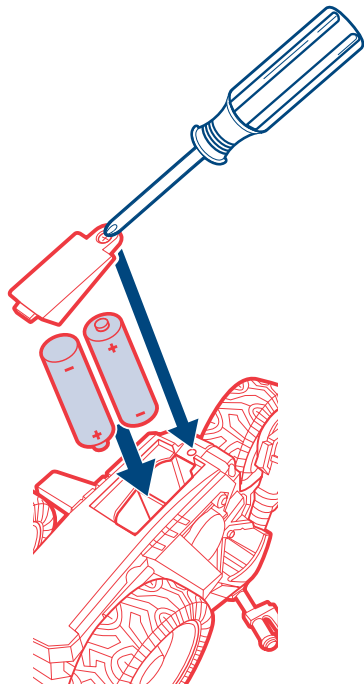
## WEB RIDER

**x2 ALKALINE BATTERIES**  
1.5VAA/LR6 size  
**NOT INCLUDED REQUIRED**

Phillips/cross head screwdriver (not included) needed to insert batteries.

To install batteries:

1. Using a Phillips/cross head screwdriver (not included), unscrew battery cover.
2. Insert 2 fresh 1.5 V "AA" or LR6 batteries. See diagram for polarity.
3. Replace battery cover and tighten screw.



### **CAUTION:**

Hair entanglement may result if child's hair comes in contact with moving parts of toy. Adult supervision is required.

**AGES 3+**  
78506/69417 Asst.

### **IMPORTANT: BATTERY INFORMATION**

Please retain this information for future reference. Batteries should be replaced by an adult.

### **CAUTION: TO AVOID BATTERY LEAKAGE**

1. Be sure to insert the batteries correctly and always follow the toy and battery manufacturers' instructions;
2. Do not mix old and new batteries or alkaline, standard (carbon-zinc) or rechargeable (nickel-cadmium) batteries;
3. Always remove weak or dead batteries from the product.

### **CAUTION:**

1. Always follow the instructions carefully. Use only batteries specified and be sure to insert item correctly by matching the + and - polarity markings.
2. Do not mix old batteries and new batteries or standard (carbon-zinc) with alkaline batteries.
3. Remove exhausted or dead batteries from the product.
4. Remove batteries if product is not to be played with for a long time.
5. Do not short circuit the supply terminals.
6. Should this product cause, or be affected by, local electrical interference, move it away from other electrical equipment. Reset (switching off and back on again or removing and re-inserting batteries) if necessary.
7. RECHARGEABLE BATTERIES: Do not mix these with any other types of battery. Always remove from the product before recharging. Recharge batteries under adult supervision. DO NOT RECHARGE OTHER TYPES OF BATTERIES.

Questions? Call: 1-800-327-8264



Not suitable for children under 3 years because of small parts — choking hazard.

MARVEL and all related character names and the distinctive likenesses thereof: TM & © 2008 Marvel Characters, Inc. All rights reserved. www.marvel.com. This action figure is produced under license from Marvel Characters, Inc.  
Marvel, Spider-Man: TM & © 2008 Marvel Characters, Inc. All rights reserved.  
®\* and/or TM\* and © 2008 Hasbro. All Rights Reserved.  
TM & © denote U.S. Trademarks.

P/N: 6789160000